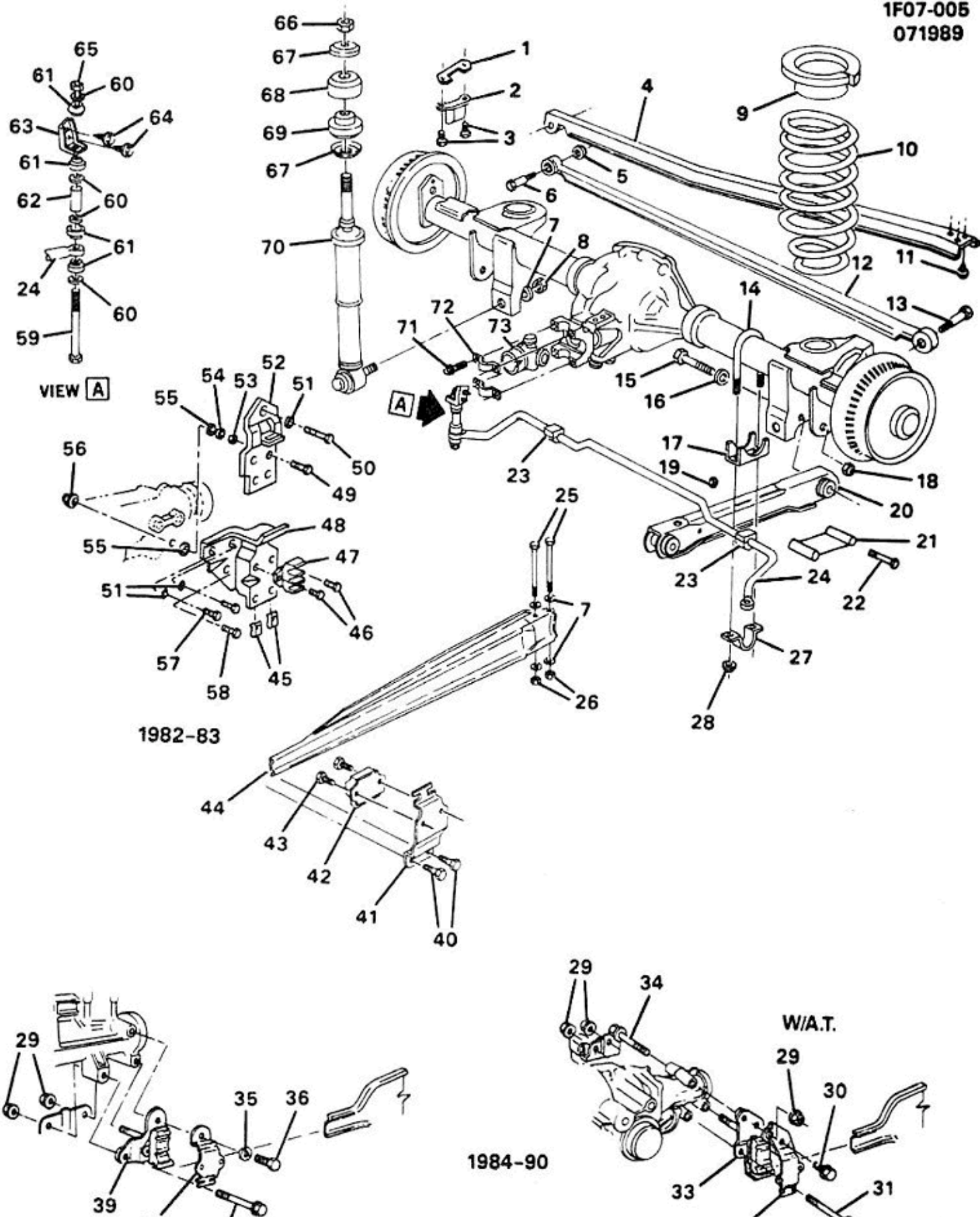


1F07-005
071989



38 /
37 W/M.T.

32'  

1F07-005

1982-90 "F" SUSPENSION/REAR