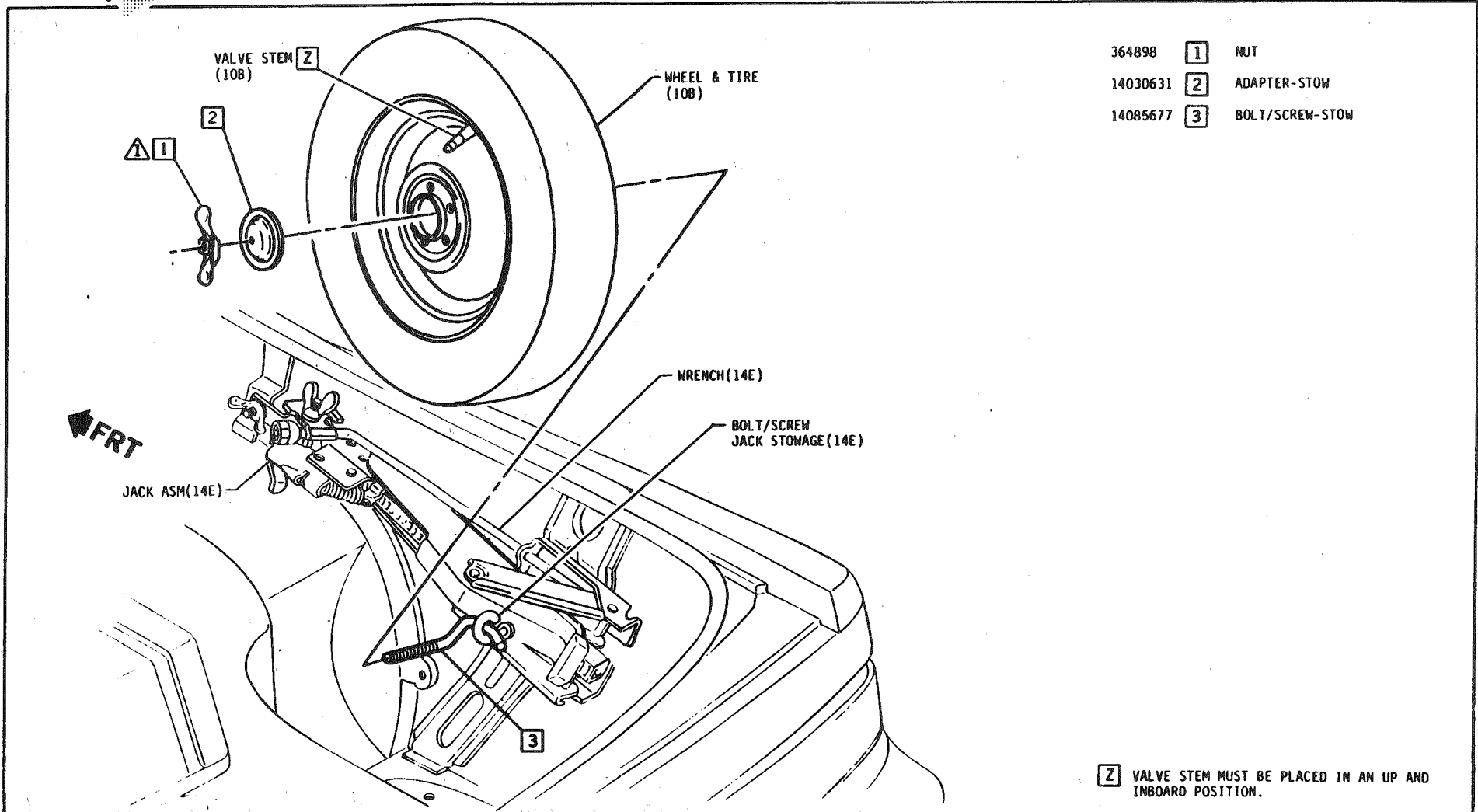




General Motors Corporation  
CHEVROLET MOTOR DIVISION

# PRODUCT DESCRIPTION MANUAL

ITEM REFERENCE   
  PROCESS MATERIAL   
  TORQUE   
  EXISTING AS PART OF



- 364898  1 NUT
- 14030631  2 ADAPTER-STOW
- 14085677  3 BOLT/SCREW-STOW

**Z** VALVE STEM MUST BE PLACED IN AN UP AND INBOARD POSITION.

DYNAMIC (Install) N·m	HAND (Insp.) N·m	DATE	SYM	REVISION	AUTH	DR	CK	ENR	DATE	10JAB5	DIV	1986 F PASSENGER 14089402
<input type="checkbox"/>	<input type="checkbox"/>								DR R. KATULSKI			TITLE
<input type="checkbox"/>	<input type="checkbox"/>								CK <i>R. Katulski</i>		CHEVROLET	COMPACT SPARE WHEEL ASM & MOUNTING FA00
<input type="checkbox"/>	<input type="checkbox"/>								APPR S		REF ECA 41600 C/O 03JAB5	1 I-22533 S
<input type="checkbox"/>	<input type="checkbox"/>								APPR			UPE 10E
<input type="checkbox"/>	<input type="checkbox"/>								APPR			SHEET C1
<input type="checkbox"/>	<input type="checkbox"/>								APPR			

FULLY DRIVEN, SEATED & NOT STRIPPED

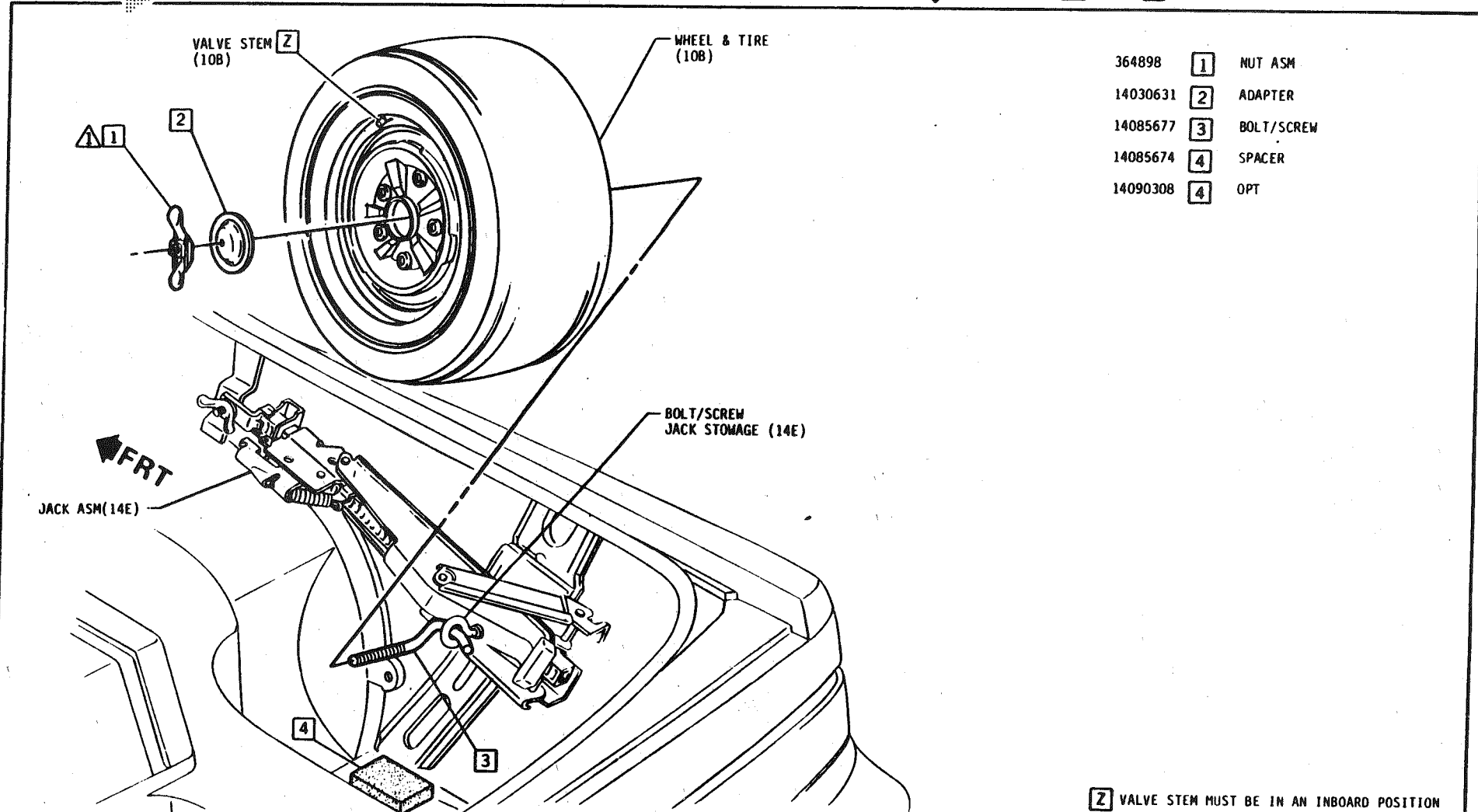
C X B O P X Co



General Motors Corporation  
CHEVROLET MOTOR DIVISION

# PRODUCT DESCRIPTION MANUAL

ITEM REFERENCE  
  PROCESS MATERIAL  
  TORQUE  
  EXISTING AS PART OF



- 364898 1 NUT ASM
- 14030631 2 ADAPTER
- 14085677 3 BOLT/SCREW
- 14085674 4 SPACER
- 14090308 4 OPT

Z VALVE STEM MUST BE IN AN INBOARD POSITION

DYNAMIC (Instal) N·m	HAND (Instal) N·m	DATE	SYM	REVISION	AUTH	DR	CK	ASH	DATE	DIV	TITLE
	7.0-10.0								10/1/85	CHEVROLET	1986 F PASSENGER 14089402
									DR R. KATULSKI		STOWAWAY SPARE WHEEL ASM & MOUNTING
									CK <i>[Signature]</i>		FA00 &N65
									APPR S		
									APPR		
									APPR		
									APPR		
									APPR		
										REF ECA 41600	11-22533 (S)
										C/O 03JA85	WPC 10E
											SHEET C2

C  
  B  
  O  
  P  
  Co