

Figure A - Behind LH Side Of I/P

12HC90

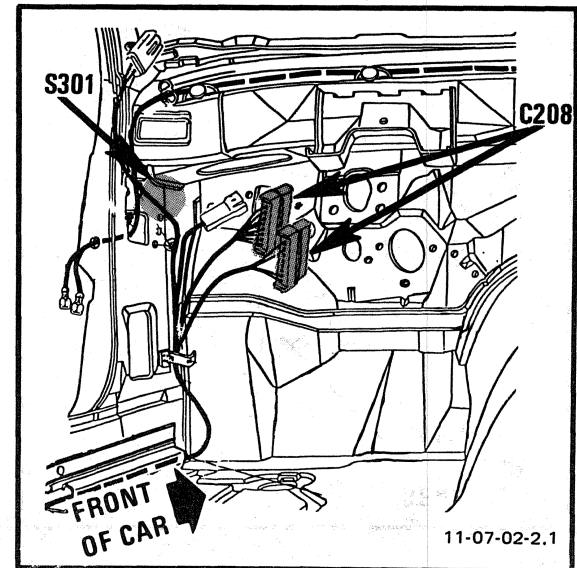


Figure B - Behind LH Side Of I/P

11-07-02-2.1

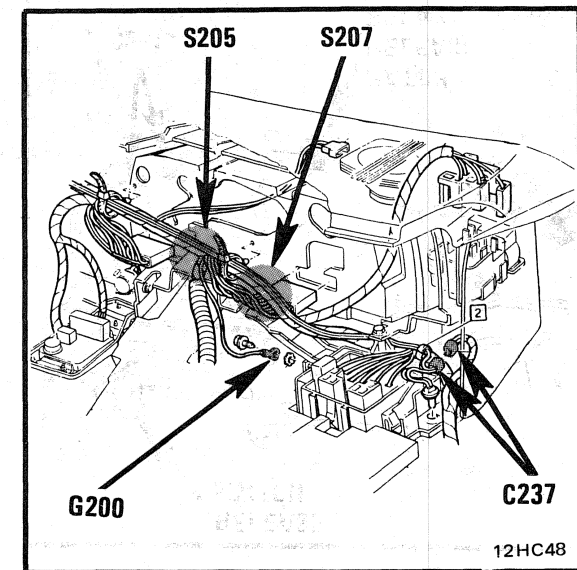


Figure C - Behind LH Side Of I/P

12HC48

COMPONENT LOCATION VIEWS

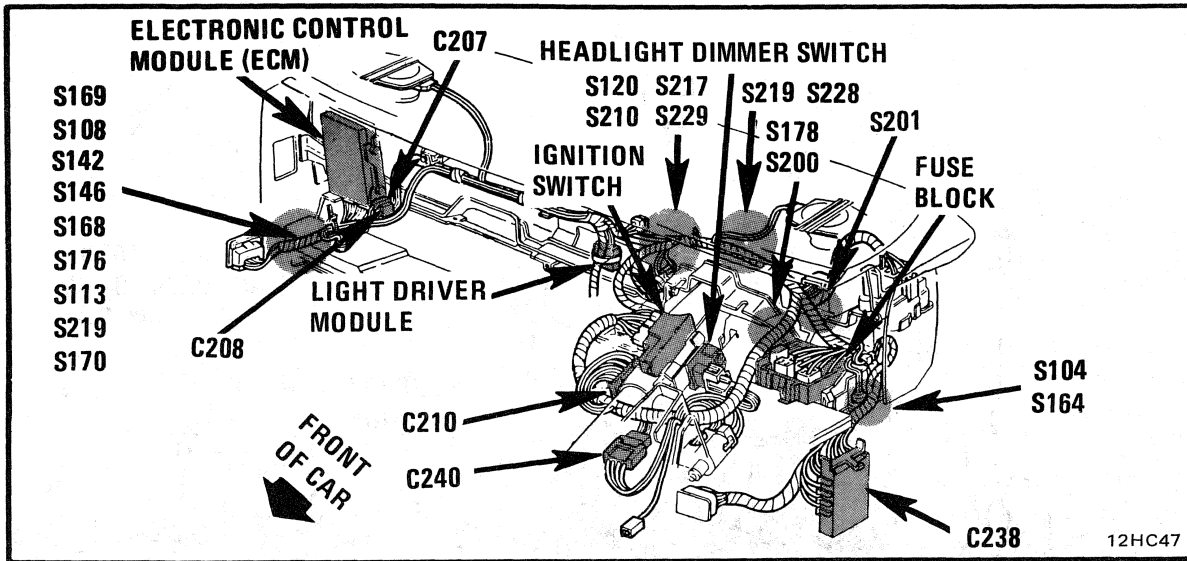


Figure A - Behind I/P

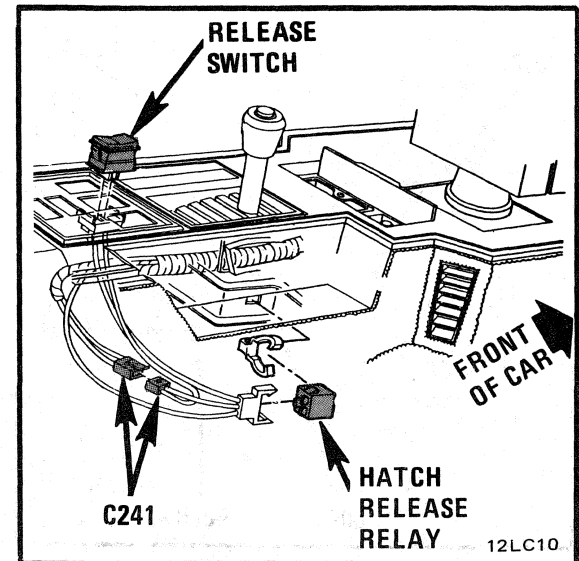


Figure C - Console

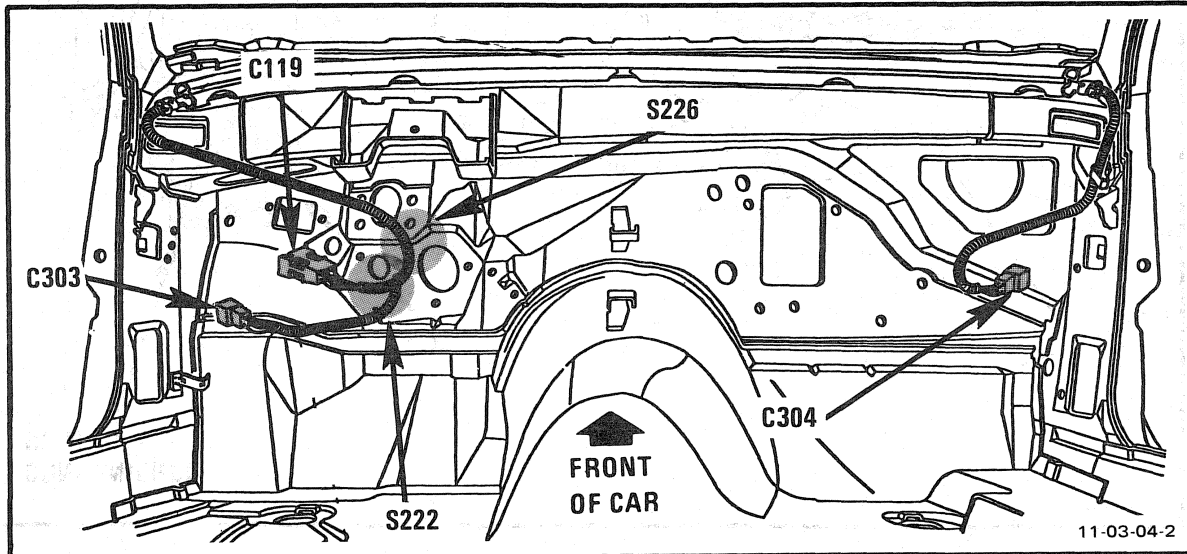


Figure B - Behind I/P

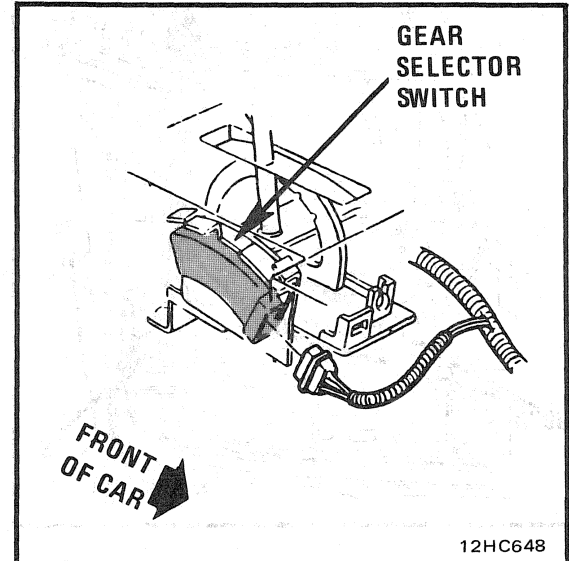


Figure D - Below Automatic Gear Selector Console